

EC12

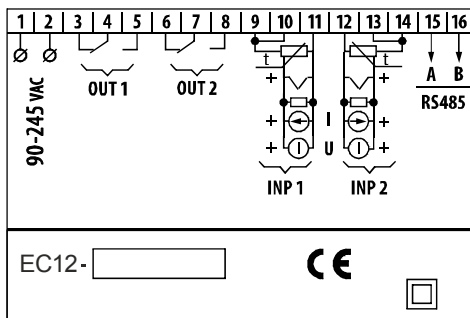
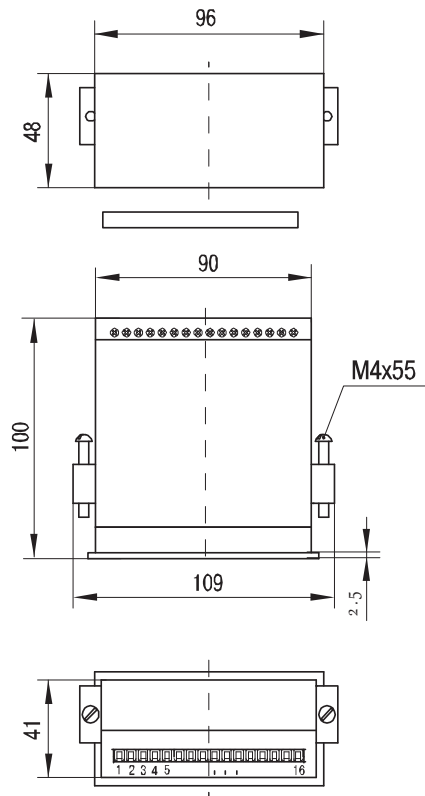


Features

- Two universal inputs
- Two independent control channels
- PID control
- Calculation: sum, difference, ratio, difference root
- Two relay outputs for 3-way valves
- RS485 Modbus RTU interface

Specifications

Inputs	two universal inputs: 0/4-20 mA, ±50 mV, 0-1 V, Pt100, other RTDs, thermocouples
Sampling interval	< 1 s
Two displays	2 × 4-digit 7-segment LED, height 14 mm / 10 mm
Accuracy	±0,25 % FSO for RTD inputs ±0,5 % FSO for other inputs
Control	On/Off, PID
Output relays	two SPDT relays, 1 A, 250 V
Supply	90...245 VAC
Power consumption	< 6 W
Digital interface	RS485, 2,4...115,2 kbit/s, Modbus RTU/ASCII protocols
Enclosure	black ABS, for panel mounting, protection IP54 (front) / IP20 (back)
Dimensions	H48 × W96 × D100 mm
Applications	general industrial automation
Operating conditions	0...+50 °C, 30...80 %RH



Functional diagram of the controller

