

MANUAL EE10 SERIES TRANSMITTER FOR HUMIDITY / TEMPERATURE



GENERAL:

EE10 transmitter series are designed for accurate measurement of humidity and temperature. The stylish, functional housing for wall mounting makes easy installation and fast exchange of the sensing unit for service purposes possible.

Main application for the EE10 is climate control in residential and office areas, switching cabins, hotels and museums, etc.

Absolutely avoid extreme mechanical and unspecified strain!

TECHNICAL DATA:

Measuring Quantities

Relative Humidity		
Humidity sensor	HC103	
Analogue output 0...100 % RH	0-10 V	-1 mA < I _L < 1mA
	4-20 mA (two wires)	R _L < (U _V -10)/0.02 < 500 Ohm
Working range ¹⁾	0...95 % RH	
Accuracy at 20°C (68°F) and U _V =24VDC	±2% RH (40...60% RH)	±3% RH (10...90% RH)
Temperature influence at 60% RH	typical 0.06% RH / °C (0.03% RH / °F)	
Temperature (active output)		
Analogue output 0...50°C (32...122°F) ²⁾	0-10 V	-1 mA < I _L < 1mA
	4-20 mA (two wires)	R _L < (U _V -10)/0.02 < 500 Ohm
Accuracy at 20°C (68°F) and U _V =24VDC	FT3: ±0.25°C (±0.45°F)	FT6: ±0.4°C (±0.72°F)
Temperature (passive output)		
Type of T-Sensor	please see ordering guide	

General Data

Voltage supply (U _V)	15 - 40 VDC	
for 0 - 10 V	28V DC > U _V > 10 + 0.02 x R _L (R _L < 500 Ohm)	
for 4 - 20 mA		
Current consumption	for DC supply:	typical 4 mA
	for AC supply:	typical 15 mA _{eff}
Electrical connection	screw terminals max. 1.5 mm ² (AWG 16)	
Display for EE10-FTx version	humidity / temperature alternating	
for EE10-Fx and EE10-FPx version	humidity	
CE compatibility according	EN61326-1 EN61326-2-3	
Temperature ranges	working temperature range:	-5...55°C (23...131°F)
	working temperature with display:	-5...55°C (23...131°F)
	storage temperature range:	-25...60°C (-13...140°F)

1) Please refer to the working range of the HC103
2) Other T-scaling on request

Opening the housing:

Press pin A until cover can be opened.

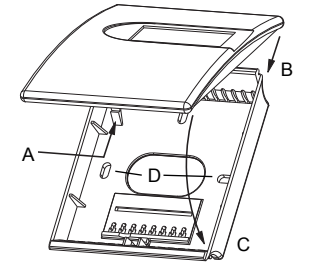
Closing the housing:

Set cover into flute B and move it to direction C until pin A snaps in.

Installation:

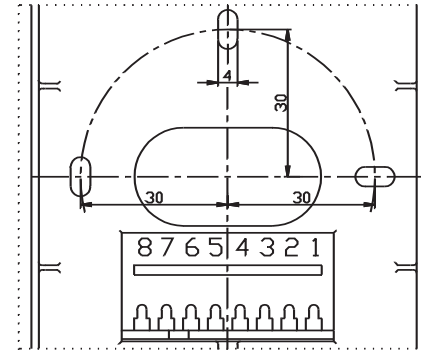
Mount housing on wall with screws through therefore designated holes D.

Material of housing: PC
Protection class: IP30



dimensions: 85x100x26mm (WxHxD)

MOUNTING HOLES:



CONNECTION DIAGRAMS:

